

High Pressure Valve

Series 4140

Features

- ▶ Original Shear-Seal® technology
- ▶ Stainless steel construction
- ▶ Low pressure drop
- ▶ High velocity flow
- ▶ Pressures to 15,000 psi
- ▶ Low handle load

Applications

- ▶ Offshore drilling equipment
- ▶ Refineries and chemical processing plants
- ▶ Gas compression systems
- ▶ Marine umbilical reels

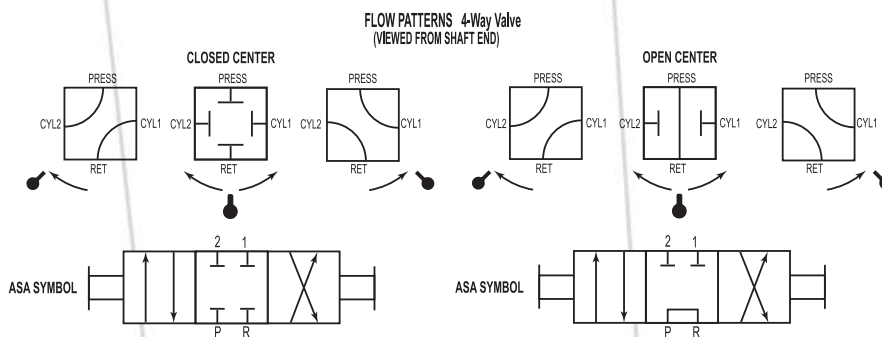


General Specifications*

Working Pressure:	Standard to 10,000 psi (690 bar) Optional to 15,000 psi (1,034 bar) (on 1/4" model only)
Flow Capacity, Cv:	See table
Back Pressure:	Must not exceed 250 psi (17.2 bar) at return port for satisfactory operation
Pressure Drop:	14 psi (0.96 bar) at 20 ft/s
Proof Pressure:	1-1/2 times working pressure except at return port
Burst Pressure:	2-1/2 times working pressure except at return port (3,000 psi [206 bar]) maximum

Media Temperature Range:	-40° to +250°F (-40° to +121°C)
Rotor:	400 series stainless steel
Pressure Seals:	Stainless steel
Shaft:	Stainless steel
Body, Housing:	300 series stainless steel
Standard O-ring:	Buna N
Back-up Rings:	Teflon®

* See product configurator for additional options and Supplemental Guide for more detailed information.



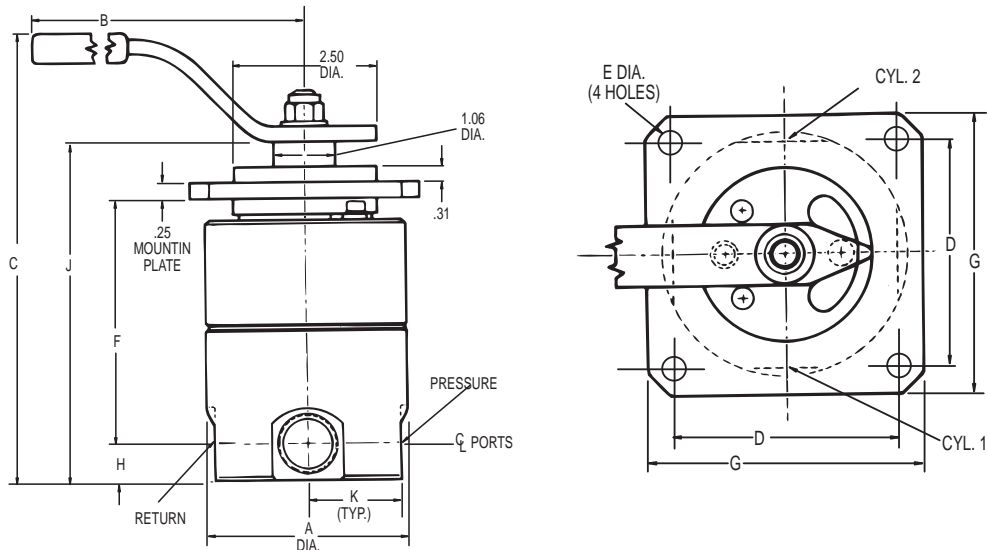
Main Valve Port Size	Flow Capacity (Approx.)			Min. Flow Passage Dia.	Cv Factor	Approx. Shipping Weight lbs (kgs)
	20 ft/sec gpm (l/min)	40 ft/sec gpm (l/min)	60 ft/sec gpm (l/min)			
1/4"	4 (15)	8 (30)	12 (45)	9/32"	0.95	13.5 (6.2)
1/2"	4 (15)	8 (30)	12 (45)	9/32"	0.95	13.5 (6.2)
1"	9 (34)	19 (72)	28 (106)	7/16"	3.20	29.5 (13.5)

Service: Oil and Lubricated Water

High Pressure Valve

Series 4140

Technical Drawings



Port Size	A Dia.	B	C	D	E Dia.	F	G	H	J	K
1/4"	3.50 (89)	7.00 (178)	7.69 (195)	3.25 (83)	0.28 (7)	4.22 (107)	4.00 (102)	0.63 (16)	5.81(148)	1.63 (41)
1/2"	3.50 (89)	7.00 (178)	7.69 (195)	3.25 (83)	0.28 (7)	4.22 (107)	4.00 (102)	0.63 (16)	5.81(148)	1.63 (41)
1"	4.50 (114)	9.00 (229)	10.69 (272)	4.00 (102)	0.34 (9)	5.84 (148)	5.00 (127)	1.00 (25)	8.81(224)	2.03 (52)

Product Configurator

Example: **414 1 R 9 A C 3**

Series

414 Basic 3 position 4 way

Port Size

- 1** 1/4" NPT ports
- 3** 1/2" NPT ports
- 5** 1" NPT ports

Style

R Regular (side) porting

Operating Pressure

9 10,000 psi

Service

A Air, lubricated water or hydraulic oil

Flow Pattern

- C** Closed center
- O** Open center (tandem center)

Options

- MC** Spring centering *
- MS** SAE Porting

* Not available on 1" ported valves

Position

3 Three position