

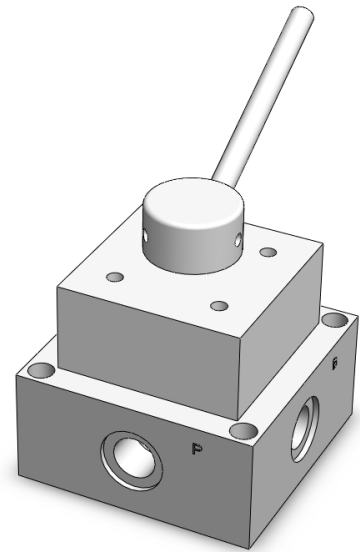
Directional Control Valve

Type MAV S2

manually operated Valve
4/3, 4/2 & 2/2 way

Features

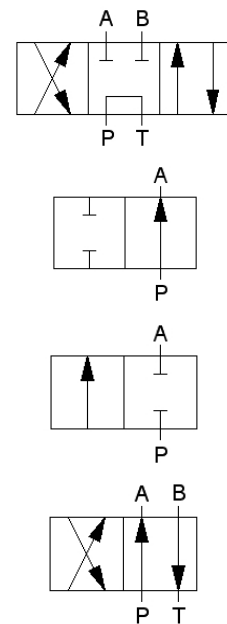
Shear Seal® technology,
Zero leak design,
Rugged design,
Working media Hydraulic Oil,
manually operated,
Different medias possible on request



Technical Data

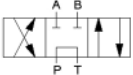



Working Media:	Hydraulic Oil
Nominal Flow:	40 l/min at 5 bar Δp
Working Pressure:	up to 420 bar (6,000 psi)
Proof Pressure:	1.5 times working pressure
Burst Pressure:	2.5 times working pressure
Temperature Range:	-25 °C...+70 °C
Sealing Material:	NBR
Materials:	Steel / Stainless Steel / Aluminium

Symbols



Specifications are subject to changes without notice

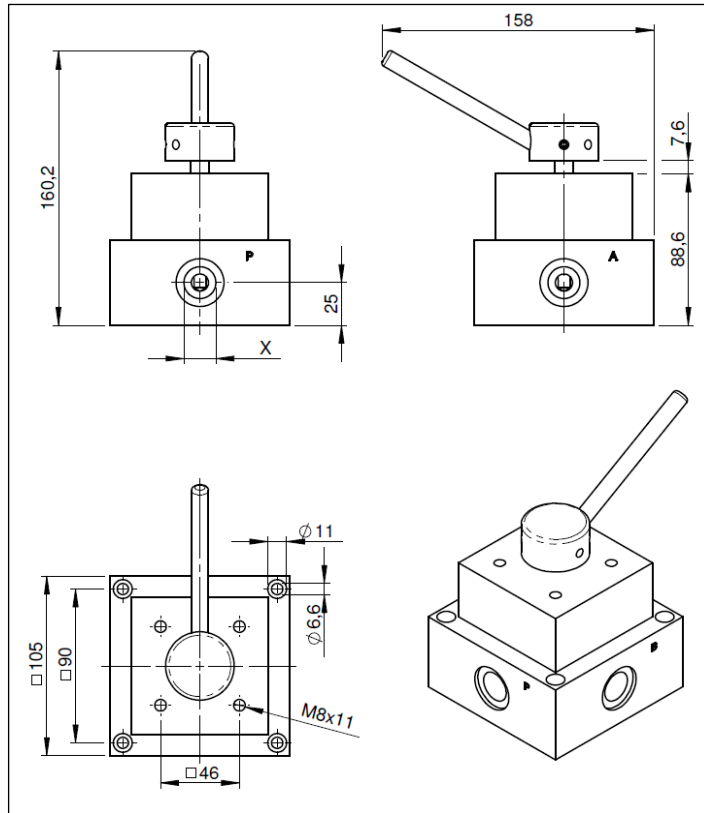
Product Configurator

MAV	1	0	2	-A	B	1	SS
<p>material without declaration = steel SS = stainless steel AL = aluminum</p>							
<p>max. operating pressure 1 = 210 bar (~3000 psi) 2 = 315 bar (~4500 psi) 3 = 420 bar (~6000 psi)</p>							
<p>port size A = G1/4" B = G1/2" C = G3/4" D = G1" E = G3/8" F = 1/4" NPT G = 1/2" NPT</p>							
<p>hydraulic schematic</p> <p>A = </p> <hr/> <p>G = </p> <hr/> <p>H = </p> <hr/> <p>M = </p>							
<p>rotor size 2 = up to 40 L/min @ 5 bar Δ p</p>							
<p>number of ports 0 = 4 ports 1 = 2 ports (shut-off)</p>							
<p>port arrangement 1 = ports sideways 3 = ports downwards</p>							
<p>type of actuation MAV = mechanical</p>							

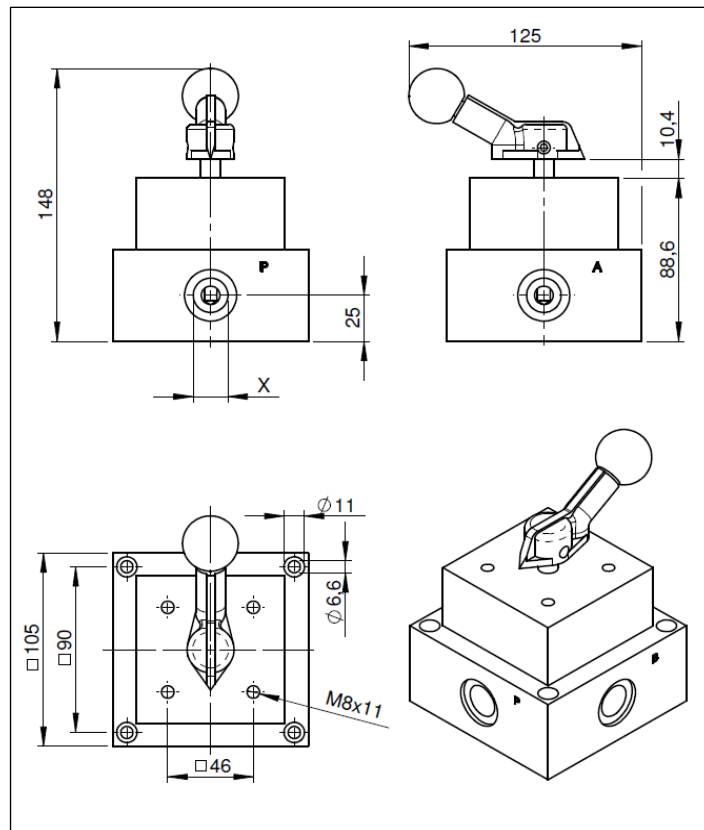
Specifications are subject to changes without notice

Dimensions (in mm)

Steel:



Aluminum:



Specifications are subject to changes without notice