

Valves

Actuated Heavy Duty Valves

Series III-L

Features

- ▶ Original Shear-Seal® technology
- ▶ 2 position actuated valve
- ▶ Air or hydraulic integrated actuator
- ▶ Superior shifting performance
- ▶ High flow with low pressure drop
- ▶ Rugged design
- ▶ Extended shaft for alternate position sensor
- ▶ Robust detent stop
- ▶ Panel mounting option
- ▶ Position indication option (ATEX approved)

Applications

- ▶ Land-based oil drilling controls
- ▶ BOP accumulator units
- ▶ Test systems
- ▶ Workover rigs
- ▶ Mobile drilling rigs

General Specifications*

Main Valve

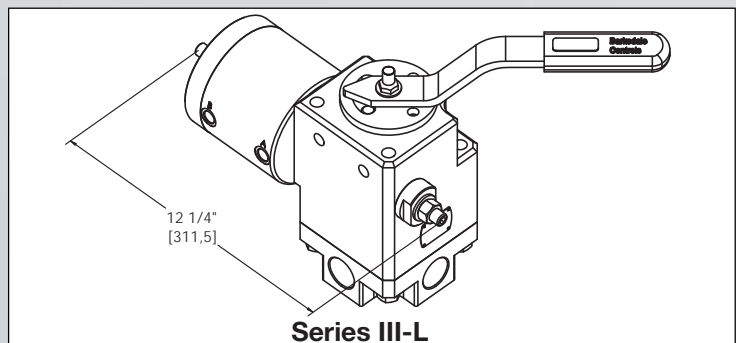
Media Type:	Hydraulic oil only -Not approved for water based fluid
Working Pressure: 1" Size:	Hydraulic up to 3,000 or 5,000 psi (206 bar or 345 bar)
Back Pressure:	250 psi (17.2 bar) max at return port
Proof Pressure:	1.5x working pressure except at return port
Burst Pressure:	2x working pressure except at return port (3,000 psi [206 bar])
Porting:	1" NPT standard Optional: SAE 16 (SAE J1926)
Media Temperature Range:	-30° to +185°F (-34.4° to +85°C)
Handle Detent:	All valves have 3-position detents for manual shift to center position
Wetted Materials: Body: Shaft: Rotor & Seals: Standard O-Rings:	Phosphate coated carbon steel Stainless steel 400 series stainless steel Buna N Option: Viton®, Neoprene, EPR
External Materials: Housing: Hardware: Handle & Detent Disc:	Phosphate coated carbon steel Plated carbon steel Plated carbon steel
Flow Characteristics:	Cv Factor = 9.2 Capacity : 75 GPM @ 60ft/sec

Patent Pending



Pilot Actuator

Working Pressure: Air:	Range: 80 to 120 psi (5.5 to 8.3 bar)
Hydraulic:	Range: 200 to 1,000 psi (13.8 to 68.9 bar)
Porting:	1/4"- 18 NPT
Media Temperature Range:	-30° to +185°F (-34.4° to +85°C)
Speed of Operation:	1/2 second or more for 90° throw to avoid damage
Materials: Cylinder (Air/Hydraulic): End Plate: Hardware:	Hard anodized aluminum Anodized aluminum Plated carbon steel
Weight: (Valve & actuator)	48 lbs (21.8 kg) : pneumatic model 49 lbs (22.2 kg) : hydraulic model



* See product configurator for additional options.

