

1/2" NPT Heavy Duty Regulator

Model 20313

Features

- ▶ Original Shear-Seal® technology
- ▶ Self adjusting
- ▶ High flow capacity
- ▶ Tolerates contaminated media
- ▶ Fail-safe motor control options

Applications

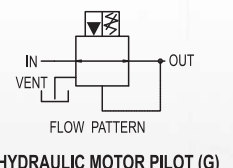
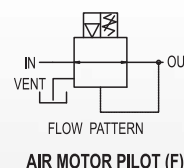
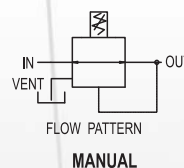
- ▶ BOP Control Units
- ▶ Coiled tube reels
- ▶ Oil and gas systems
- ▶ Pressure sensitive applications



General Specifications*

Pressure:	
Supply/Inlet Pressure:	5,000 psi (345 bar)
Regulated Pressure Range (manual):	150 - 3000 psi (10.3 - 207 bar)
Regulated Pressure Range (failsafe motor):	300 - 3000 psi (21 - 207 bar)
Fluid Temperature Range:	-40° to +250°F (-40° to +121°C)
Proof Pressure:	7,500 psi (517 bar)
Burst Pressure:	12,500 psi (862 bar)
Flow:	
Flow Rate:	45 GPM
Outlet Cv:	6.7
Vent Cv:	6.7
Porting:	
Inlet:	1/2" NPT
Outlet (regulated):	1/2" NPT
Vent:	1/2" NPT
Bleed Port:	1/8" NPT
Materials of Construction:	
Body:	Stainless steel
Flanges:	Stainless steel
Housing:	Phosphate coated alloy steel
Socket Head Screws:	Zinc plated alloy steel (Stainless steel optional)

Mats of Construction (cont.):	
Standard O'Ring Material:	Buna N
Back-up Rings:	Teflon®
Wetted Parts:	Stainless steel
Pneumatic Pilot Motor ("F" prefix):	
Pilot Motor Working Pressure:	60-100 psi (5.5-6.9 bar)
Porting:	1/4" NPT
Operating Temperature Range:	40°-220°F (4°-104°C)
Hydraulic Pilot Motor ("G" prefix):	
Pilot Motor Working Pressure:	400 - 1650 psi (27.5 - 114 bar)
Porting:	SAE for 3/8" Tube (Size 6)
Temperature Rating:	-40° to +150°F (-40° to +66°C)
Approximate Shipping Weights:	
Manual Set:	21 lbs. (9.5 kg)
Air or Hydraulic Failsafe:	44 lbs. (20.0kg)

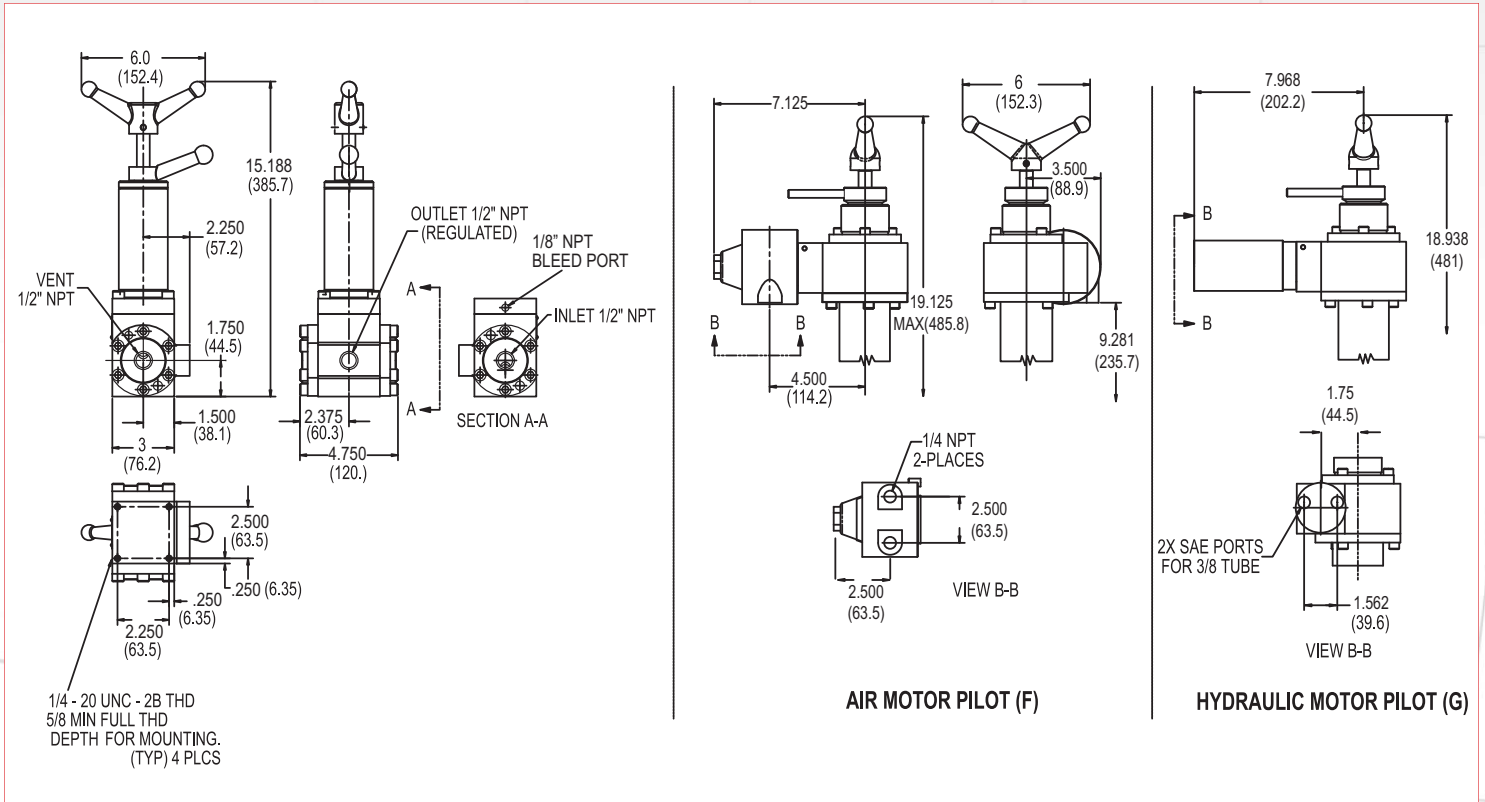


* See product configurator for additional options.

1/2" NPT Heavy Duty Regulator

Model 20313

Technical Drawings



Product Configurator

Example: 20313S6WQ2

Adjustment Method

- Manual
- F Pneumatic Failsafe Motor
- G Hydraulic Failsafe Motor

Series

20313S6WQ2 1/2" Shear-Seal Regulator

Option

-MS SAE porting for 1/2"

Regulated Pressure Range

- 300-1500 psi (21-103 bar)
- 1 1500-3000 psi (103-207 bar)
- Q3 150-1500 psi (10.3-103 bar)