

1-1/2" Hydraulic Regulator

Series 20517

Features

- ▶ Original Shear-Seal® technology
- ▶ High flow capacity
- ▶ Large pressure range
- ▶ Tolerates contaminated media
- ▶ Fail-safe motor control options
- ▶ Self venting

Applications

- ▶ Land-based hydraulic drilling controls
- ▶ BOP control units
- ▶ Hydraulic powered tube reels



General Specifications*

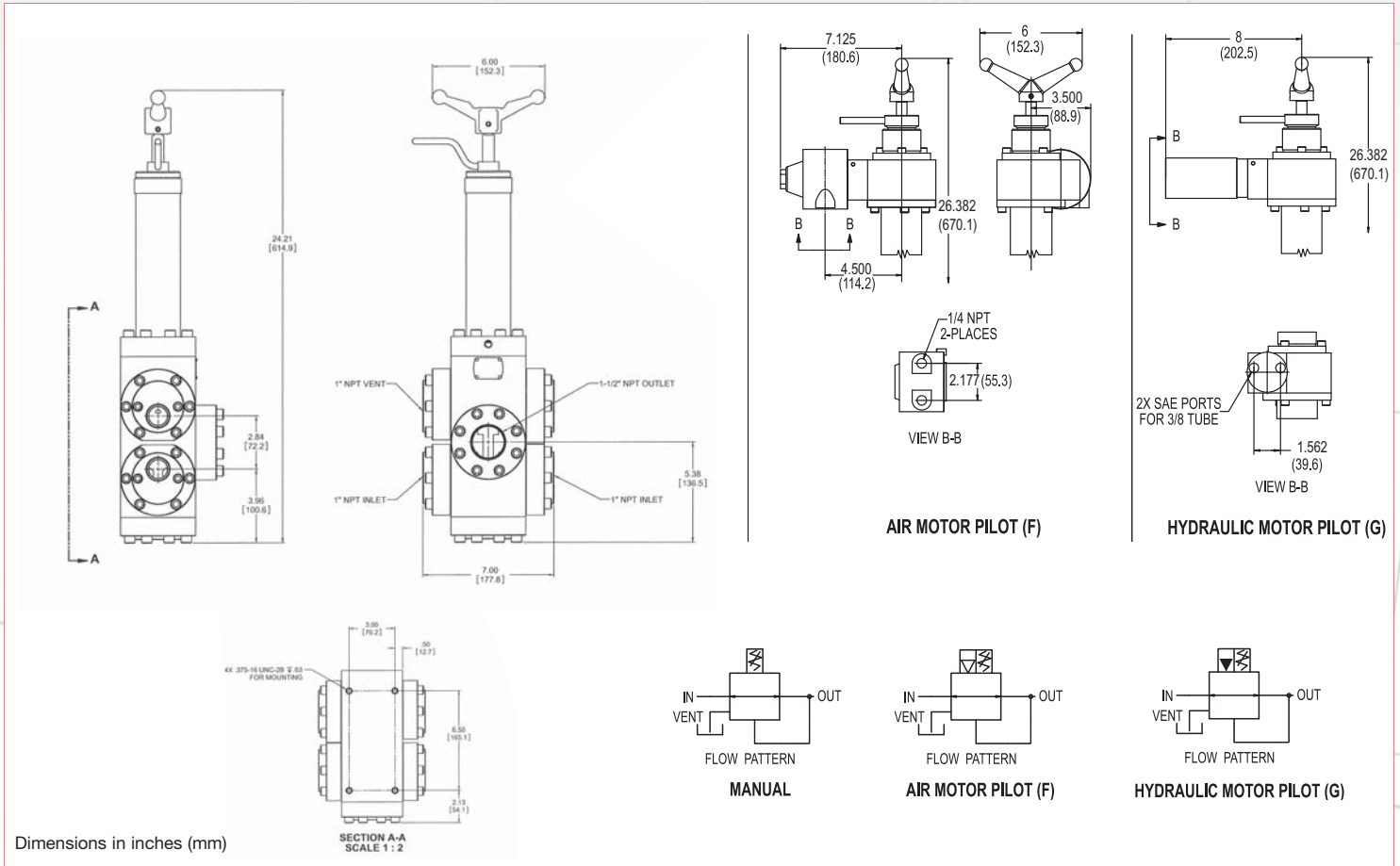
Pressure: Supply/Inlet Pressure: 3,000 psi (207 bar) Regulated Pressure Range: High Sensitivity 200 - 1600 PSI (14 - 110 bar) Full Range 350 - 2800 PSI (24 - 193 bar) Regulated Pressure Range "F" Prefix Pneumatic failsafe motor: High Sensitivity 200 - 1600 PSI (14 - 110 bar) Full Range 350 - 2800 PSI (24 - 193 bar) Regulated Pressure Range "G" Prefix Hydraulic failsafe motor: High Sensitivity 200 - 1600 PSI (14 - 110 bar) Full Range 350 - 2800 PSI (24 - 193 bar) Fluid Temperature Range: -40° to +250°F (-40° to +121°C) Proof Pressure: 4,500 psi (310 bar)	Materials of Construction: Body: Phosphate coated alloy steel (std.) Option: Stainless steel Flanges: Phosphate coated alloy steel (std.) Option: Stainless steel Spring Tower: Manual: Stainless steel (std.) Pneumatic Motor model: Painted alloy steel (std.) Hydraulic Motor model: Painted alloy steel (std.) Option: Stainless steel Standard O'ring Material: Buna N Socket Head Screws: Stainless steel (std.) Wetted Parts: Stainless steel & bronze
Flow: Flow Rate: 120 GPM (@ 50 ft/s) Cv Inlet: 17.5 Cv Vent: 1.6	Pneumatic Pilot Motor ("F" prefix): Pilot Motor Working Pressure: 80 - 120 PSI (5.5 - 8.3 bar) Porting: 1/4" NPT Operating Temperature Range: 32° to +250°F (0° to +120°C)
Porting: Inlet 1: 1" NPT Standard, SAE Optional Inlet 2: 1" NPT Standard, SAE Optional Outlet: 1-1/2" NPT Standard, SAE Optional Vent: 1" NPT Standard, SAE Optional	Hydraulic Pilot Motor ("G" prefix): Pilot Motor Working Pressure: 400 - 1600 PSI (6.9 - 110 bar) Porting: SAE for 3/8" Tube (Size -6) Operating Temperature Rating: -40° to +250°F (-40° to +121°C)
	Approximate Shipping Weight: Manual: 67 lbs. (30.4 kg) Pneumatic or Hydraulic Motor: 90 lbs. (40.8 kg)

* See product configurator for additional options.

1-1/2" Hydraulic Regulator

Series 20517

Technical Drawings



Product Configurator

Example: 20517S3WQ2

Adjustment Method

Blank	Manual
F	Pneumatic failsafe motor
G	Hydraulic failsafe motor

Series

20517S3WQ2 1-1/2" Pressure regulator

Option

Blank	NPT porting
-MS	SAE porting
-SS	Stainless steel flanges & trim

Regulated Pressure Range (Manual)

Blank	High sensitivity	200 - 1600 psi (14 - 110 bar)
-1	Full range	350 - 2800 psi (24 - 193 bar)

Regulated Pressure Range (Failsafe) F & G Models

Blank	High sensitivity	200 - 1600 psi (14 - 110 bar)
-1	Full range	350 - 2800 psi (24 - 193 bar)

