

BFS-50

for liquid and gaseous media

Features

large switching range,
set point continuously adjustable (factory set)*,
rugged design, any mounting position,
low hysteresis,
high functional safety and switching accuracy,
piston valve design,
resistant to dirty media

Measuring ranges

0,4...12 l/min up to 3,0...90 l/min for water

Applications

Measuring and monitoring of liquids,
e. g. in cooling system, test beds,
pumps etc.

Technical data BFS-50

Measuring principle : variable area flow meter

Materials	: Red brass
Variable area	
flow meter	: MS 58, nickel-plated
Spring	: 1.4310
Housing	: RG 5, nickel-plated

Operating pressure	: G	RG 5	Pressure drop
	G1/4	PN 200 bar	0,4 bar at Qmax.
	G3/8	PN 200 bar	0,4 bar at Qmax.
	G1/2	PN 200 bar	0,4 bar at Qmax.
	G3/4	PN 25 bar	0,4 bar at Qmax.
	G1	PN 25 bar	0,4 bar at Qmax.
	G1 1/4	PN 16 bar	0,4 bar at Qmax.
	G1 1/2	PN 16 bar	0,4 bar at Qmax.

Operating temperat. : 110 °C (Standard)

Switching ranges (Water in l/min):

l/min	Process connection
0,4...9,0	G1/4
0,4...10	G3/8
0,4...12	G1/2
0,6...25	G3/4
1,5...40	G1
2,0...60	G1 1/4
3,0...90	G1 1/2



Accuracy : ±0,3 l/min

Electrical connection : cable 1,5 m

Contact rating : 230 V AC / 1 A / 50 VA

Protection class : IP65

* - Please specify flow direction, medium and switching value in your order.

- Please specify viscosity, temperature and medium for viscous media (e. g. ISO VG 68). (Inquire switching value)

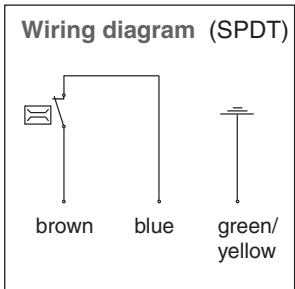
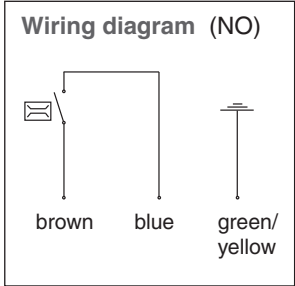
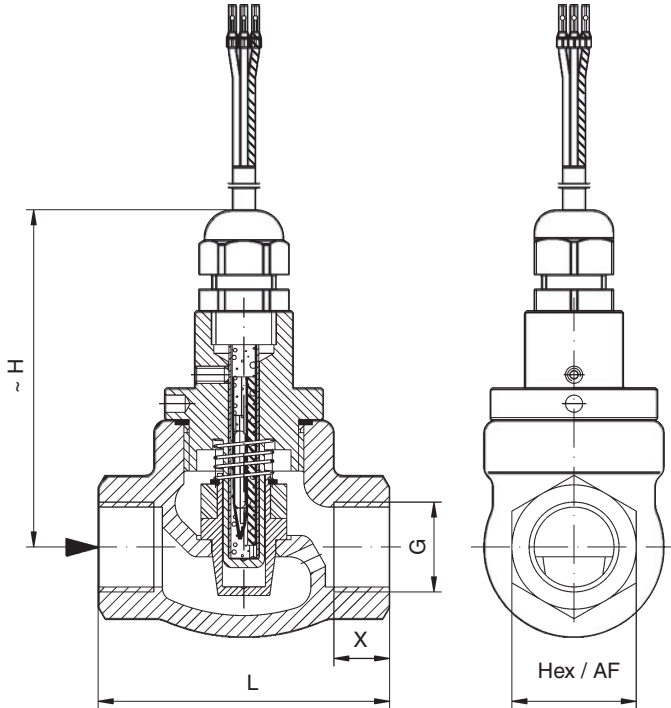
- Please specify pressure for gases (relative resp. absolute), temperature and medium (e. g. air). (Inquire switching value)

BFS-50

10 / 05 BFS-50 US 923-1361 01/2

Dimensions (in mm)

BFS-50



Dimensions (in mm)

DN	G	X	H	L	Hex	Weight (g)
8	1/4	12	79	68	29	600
10	3/8	12	79	68	29	600
15	1/2	13	79	68	29	600
20	3/4	11	90	73	32	700
25	1	14	90	87	41	1000
32	1 1/4	14	94	98	52	1500
40	1 1/2	14	95	113	59	2000

Order numbers

BFS-50	
0716-001	BFS-50-N-G1/4-RG-NO-ST
0716-002	BFS-50-N-G3/8-RG-NO-ST
0716-003	BFS-50-N-G1/2-RG-NO-ST
0716-004	BFS-50-N-G3/4-RG-NO-ST
0716-005	BFS-50-N-G1-RG-NO-ST
0716-006	BFS-50-N-G1 1/4-RG-NO-ST
0716-007	BFS-50-N-G1 1/2-RG-NO-ST

Specifications are subject to changes without notice.