



**Continental Disc
Corporation**

A Siegel-Robert Company

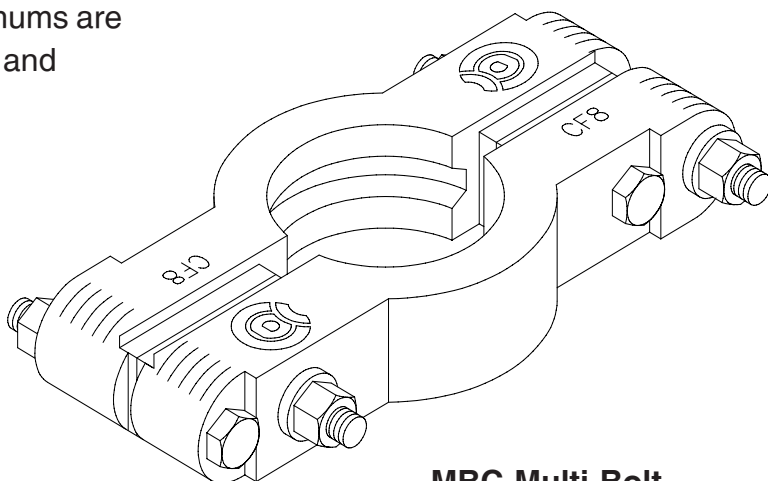
TECHNICAL BRIEF

MBC™ Multiple Bolt Sanitary Closure

Continental Disc Corporation presents the **MBC** Sanitary Closure, a new highly durable sanitary clamping device for securing vessel and piping connections in pharmaceutical, biotechnological, food, beverage, fine chemical, and other sanitary type environments.

The **MBC Sanitary Closure** is a multi-bolt clamp design featuring four stainless steel bolts and nuts securing a two-piece, cast stainless steel body. This sturdy new clamp yields the ultimate in connection integrity, providing a dependable, sure-hold for system fittings and components, and also protecting against potential clamp failure. An opposed multi-bolt pattern, utilizing four bolts, ensures reliable performance and safeguards your system and personnel from possible damage that could result from the failure and release of a clamp relying on only one or two fasteners.

The **MBC** Sanitary Closure can be used in general sanitary installations and in high pressure or high temperature applications, though pressure and temperature maximums are limited by the capabilities of standard gaskets and fittings. The clamp also permits installation of Continental's SANITRX® Rupture Disc, which features the innovative, attached 3-dimensional flow tag extending beyond the assembly for easy identification of proper rupture disc orientation. Refer to bulletin #4-8803 for the pressure and temperature limits of the SANITRX Rupture Disc.



**MBC Multi-Bolt
Sanitary Closure**

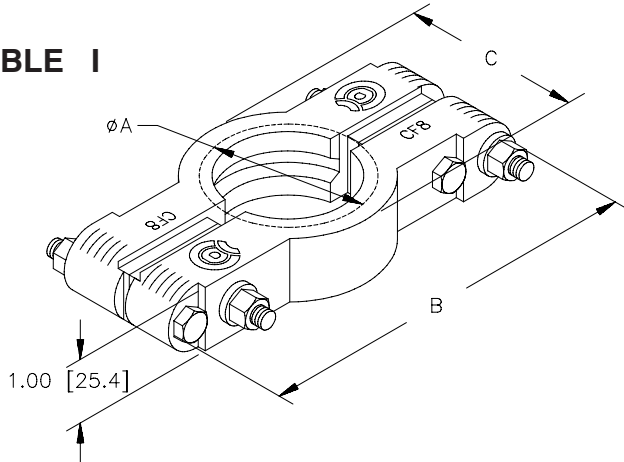
Features include:

- Solid, cast stainless steel body with opposed multi-bolt pattern for durability and performance under higher pressures and temperatures.
- Studs, nuts, and lock washers of corrosion resistant 304 Stainless Steel construction.
- Available in sizes 1½", 2", 3", and 4".
- Depending upon size and the limitations of complementary components installed, the clamp can be installed on systems operating at pressures up to 1500 psig (103 barg) or at temperatures up to 450°F (232°C). See operating conditions on back page, Chart I.

MBC Multiple Bolt Sanitary Closure

Operating Specifications:

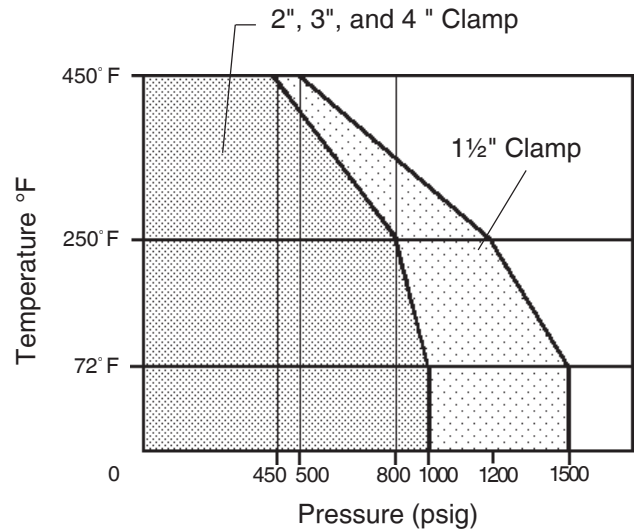
TABLE I



Nominal Size (inch)	Dimensions (inch)			Clamp Maximum Operating Pressure* (psig)	
	A	B	C	@ 72°F	@ 450°F
1½	2.05	5.61	2.71	1500	500
2	2.63	6.11	3.25	1000	450
3	3.66	7.12	4.34	1000	450
4	4.77	8.11	5.45	1000	450

*See Chart I for correlation of pressure and temperature limitations of the clamp only.

CHART I



Clamps, in the size noted, are usable below the appropriate curve.

Warning: The table and chart above represent the maximum pressure and temperature ratings of the **MBC Sanitary Closure**. Standard sanitary gaskets and fittings may not be designed to withstand the maximum pressure and temperature stated. ***It is the responsibility of the user to verify the maximum pressure and temperature rating of the gaskets, fittings, or rupture disc.***

CORPORATE HEADQUARTERS

Continental Disc Corporation
3160 W. Heartland Drive
Liberty, MO 64068-3385 USA

Phone: (816) 792-1500
FAX: (816) 792-2277 / 5447
E-mail: pressure@contdisc.com
Website: www.contdisc.com

THE NETHERLANDS

Continental Disc Corporation
Energieweg 20
2382 NJ Zoeterwoude-Rijndijk
The Netherlands
Phone: +(31) 71-5412221
FAX: +(31) 71-5414361
E-mail: cddnl@contdisc.com

GERMANY

Continental Disc Deutschland GmbH
Virmondstrasse 151
47877 Willich
Germany
Phone: +(49) 2156-490802
FAX: +(49) 2156-492547
E-mail: cdd@contdisc.com

UNITED KINGDOM

Continental Disc UK Ltd.
Unit C, The Business Centre
Faringdon Avenue,
Harold Hill, Romford
Essex RM3 8EN
United Kingdom
Phone: +(44) 1708-386444
FAX: +(44) 1708-386486
E-mail: cduk@contdisc.com

CHINA

Continental Disc Corporation
2026 The Executive Center
20/F The Center
989 Changle Rd,
Shanghai, 200031
P.R. China
Phone: +(86) 21-5117-5848
Fax: +(86) 21-5117-5849
Mobile: +(86) 137-8897-2291
E-mail: jyang@contdisc.com

DUBAI

Continental Disc Corporation
P.O. Box 2234
Dubai, U.A.E.
Phone: +(971) 43214490
FAX: +(971) 43438840
Mobile: +(971) 508129525
E-mail: kannan@contdisc.com