

# Temperature

## Compact Explosion Proof Temperature Switch

**T9692X**

### Features

- ▶ Compact design
- ▶ Convenient field adjustability
- ▶ NEMA 4X, 7 & 9
- ▶ SPDT and DPDT switch
- ▶ ATEX approved
- ▶ Class I Div I
- ▶ Direct or remote mount
- ▶ Panel mount capability
- ▶ 316 stainless steel
- ▶ NACE compliant
- ▶ Armored capillary

### Applications

- ▶ Offshore platforms
- ▶ Safety panels
- ▶ Chemical plants & refineries
- ▶ Compressor skids
- ▶ Instrument panels
- ▶ Hazardous location applications



### General Specifications\*

<b>Accuracy:</b>	±3% of full scale
<b>Typical Life:</b>	1 million cycles
<b>Switch:</b>	SPDT, snap action, Class EE, simulated DPDT (optional)
<b>Electrical Ratings:</b>	11 amps @ 125/250 VAC 5 amps @ 30 VDC (EE class)
<b>Materials:</b>	
Bulb, Capillary & Armor:	316 stainless steel
Enclosure:	316 stainless steel
Local Mount Element:	300 series stainless steel
<b>Electrical Connection:</b>	1/2 inch NPT male conduit connection 18 AWG, 18" (300 mm) free leads
<b>Enclosure Ratings:</b>	NEMA 4X, 7 & 9

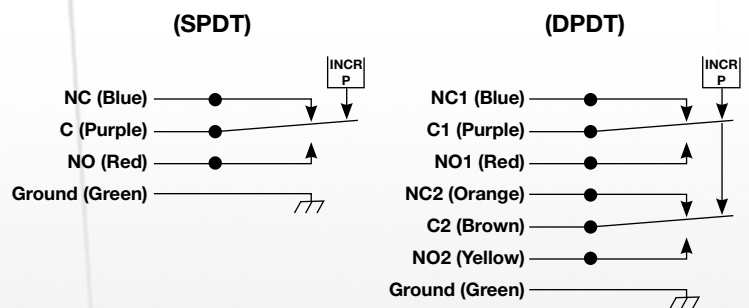
\* See Product Configurator for additional options.

<b>Approvals:</b>	
ATEX:	CE 0081 LCIE 08 ATEX 6074X Ⓜ II 2 G Ex d IIC T6, -40°C ≤ Tamb ≤ 60°C
UL:	Listed 366S, Class: I, Groups: A, B, C, D, -25°C ≤ Tamb ≤ 60°C
CSA:	Class: I, Groups: B, C, D -40°C ≤ Tamb ≤ 60°C
<b>Ambient Operating Temperature:</b>	
CSA & ATEX:	-40°F to 140°F (-40°C to 60°C)
UL:	-13°F to 140°F (-25°C to 60°C)
<b>EMI/RFI:</b>	EN55011
<b>Vibration:</b>	10g's 10-500 Hz, MIL-STD 202°F
<b>Shock:</b>	50g's, 11 ms, MIL-S-901C
<b>Adjustment:</b>	Internal locking adjustment wheel, 1/16 hex set screw
<b>Weight:</b>	3 lbs. maximum

### Wiring Code

Lead	Circuit #1	Circuit #2
Normally Closed	Blue	Orange
Common	Purple	Brown
Normally Open	Red	Yellow
Ground	Green	

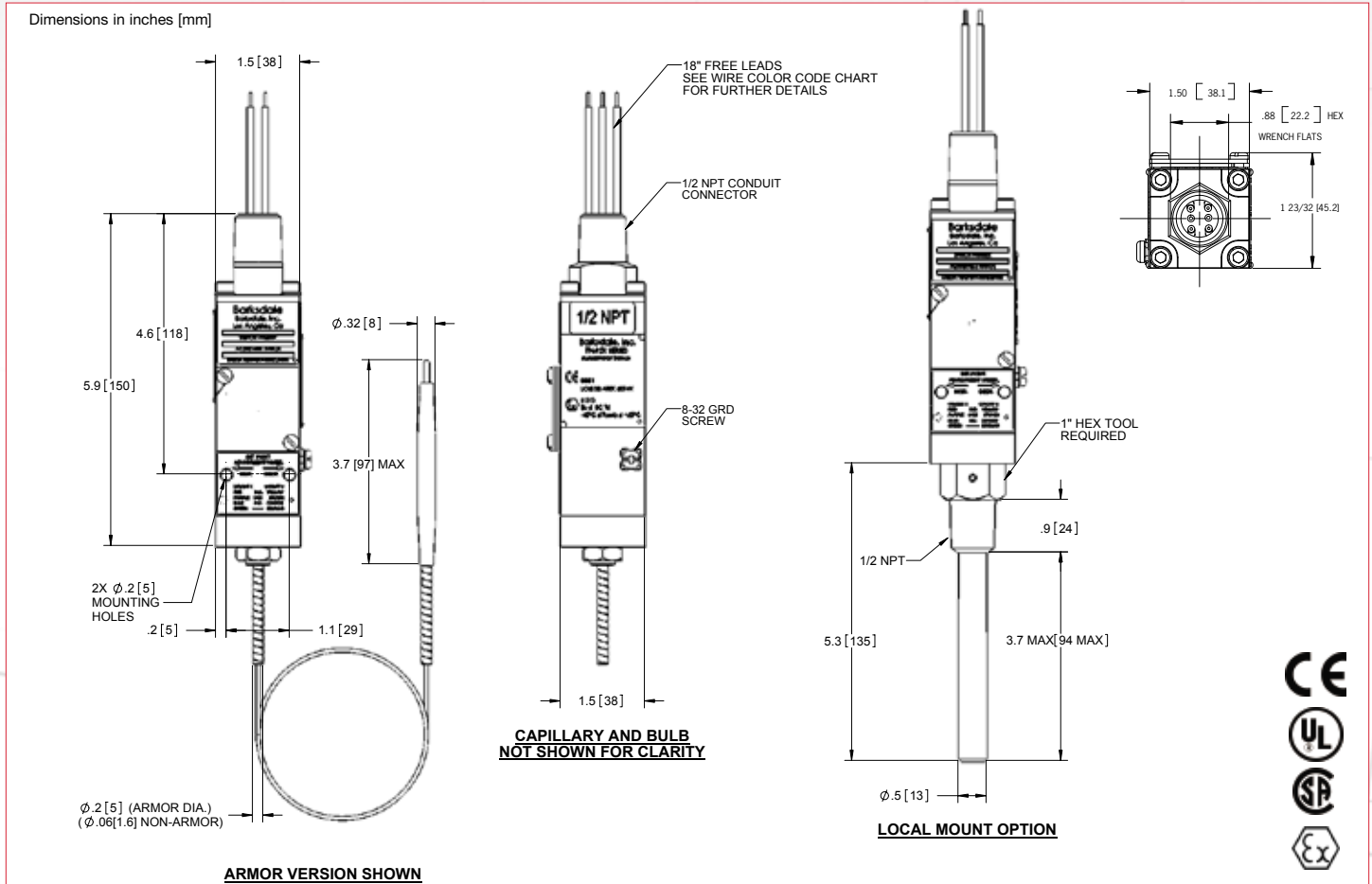
### Wiring Diagram



# Compact Explosion Proof Temperature Switch

**T9692X**

## Technical Drawing



## Product Configurator

Example	T9692X	-1	EE	-1	-072	
---------	--------	----	----	----	------	--

### Base Configurator

T9692X Temperature switch

### Number of Circuits

-1	SPDT switch
-2	Simulated DPDT switch (2 SPDTs)

### Limit Switch

EE	Silver contacts 11 amps @ 125V/250 VAC; 5 amps @ 30 VDC
GH	Gold contacts 1 amp @ 125/250 VAC

### Temperature Ranges

	Adjustable Range	Approx. Deadband <sup>2</sup> Actuation Value	Media Temperature Limits	Proof Temperature
-1	-10°F to 110°F (-23°C to 43°C)	5°F to 30°F (2.8°C to 16.7°C)	-40°F to 160°F (-40°C to 71°C)	160°F (71°C)
-2	95°F to 220°F (35°C to 104°C)	5°F to 30°F (2.8°C to 16.7°C)	40°F to 270°F (4°C to 132°C)	270°F (132°C)
-3	180°F to 330°F (82°C to 165°C)	5°F to 30°F (2.8°C to 16.7°C)	70°F to 380°F (21°C to 193°C)	380°F (193°C)

### Options

Blank	Standard
-A <sup>1</sup>	Stainless steel armor
-SXXX	Factory preset
-WXXX	Extra wire length (XXX=inches)

### Capillary Length

-072	6 ft (1.8 meters)
-108	9 ft (2.7 meters)
-144	12 ft (3.7 meters)
-001	Local mount

<sup>1</sup> Not available in local mount

<sup>2</sup> Deadband values indicated when used with the "EE" limit switch