

## Bilge Guard Level Switch

**UNS-VA/SB5 or B4**

### Features

- ▶ Rugged 316 stainless steel
- ▶ Built-in slosh shield
- ▶ Ideal for high viscosity liquid
- ▶ Reversible switch logic
- ▶ Hermetically sealed reed switches

### Applications

- ▶ Sump tanks
- ▶ Storage tanks
- ▶ Solvent recovery systems
- ▶ Lube oil console systems
- ▶ Marine applications



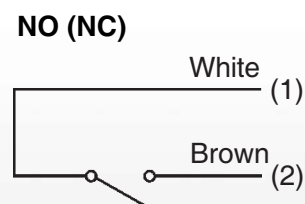
### General Specifications\*

<b>Switch Rating SPST:</b>	230 VAC/VDC @ 2.0 amps (Max.); 40 VA/W
<b>Switch Configuration:</b>	Shipped as Normally Open (NO); Can be converted to Normally Closed (NC) by rotating float 180°.
<b>Wetted Parts:</b> Stem, Bracket & Slosh Shield:	316 Stainless Steel
Float:	Polyethylene (PE)
Cable:	Halogen-free polymer, UL-VO
Strain Relief:	Polyamide (PA)

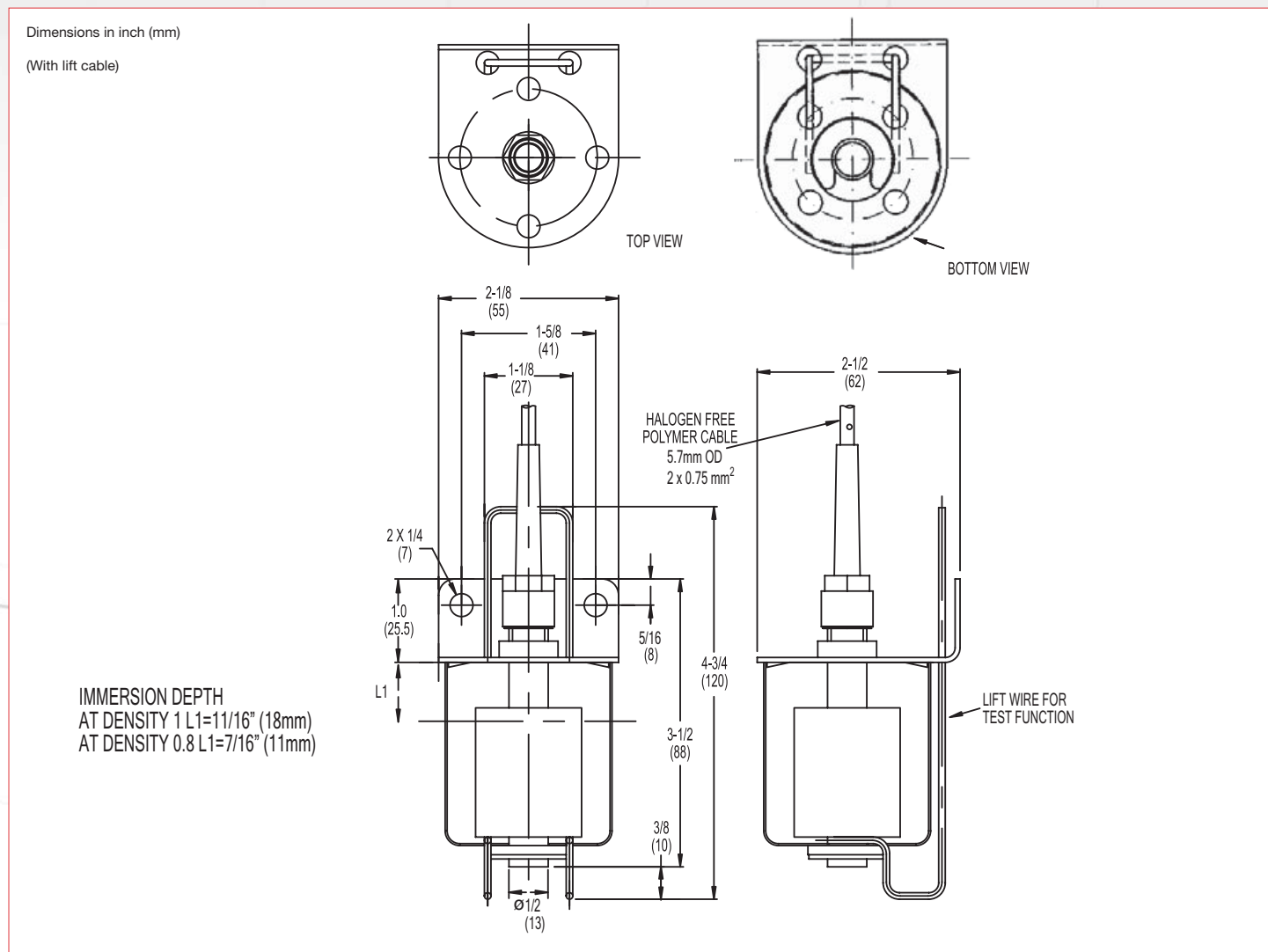
<b>Electrical Connection:</b>	Polymer jacketed cable, 2-conductor 18 AWG (yellow cable)
<b>Mounting:</b>	Suspended from cable / vertical $\pm 15^\circ$
<b>Minimum Specific Gravity:</b>	0.8 g/cm <sup>3</sup>
<b>Operating Temperature:</b>	-4° to +158°F (-20° to +70°C)
<b>Operating Pressure:</b>	45 psig (3 bar) at 20°C
<b>Cable Length:</b>	6 ft., 30 ft., or 45 ft.
<b>Weight:</b>	Approx. 180 gram

\* See Order Number Key for additional options.

### Wiring Color / Code



## Technical Drawing



## Order Number Key / Options

With Lift Wire

TYPE MODE	CONTACT	MODE	CABLE TYPE/LENGTH	ORDER NO.
UNS-VA/SB5 Bilge Guard	(NO) NC <sup>1,2</sup>	Reversible	Polymer / 6 ft (2 m)	0111-510
	(NO) NC <sup>1,2</sup>	Reversible	Polymer / 30 ft (10 m)	0111-531
	(NO) NC <sup>1,2</sup>	Reversible	Polymer / 45 ft (15 m)	0111-534

Without Lift Wire

TYPE MODE	CONTACT	MODE	CABLE TYPE/LENGTH	ORDER NO.
UNS-VA/SB4 Bilge Guard	(NO) NC <sup>1,2</sup>	Reversible	Polymer / 6 ft (2 m)	0111-509
	(NO) NC <sup>1,2</sup>	Reversible	Polymer / 30 ft (10 m)	0111-524
	(NO) NC <sup>1,2</sup>	Reversible	Polymer / 45 ft (15 m)	0111-528

Note: All switch contacts are SPST

<sup>1</sup> Shipped as NO (standard). Rotate float by 180° for NC.

<sup>2</sup> If NC is required, then add suffix-"NC" to ordering number (i.e. 0111-510-NC).