

**Level Switches made of Brass  
with G3/8 - Mounting Thread and angled 90°**

**Type UNS90-MS3/8-BN30**

**Technical Data**

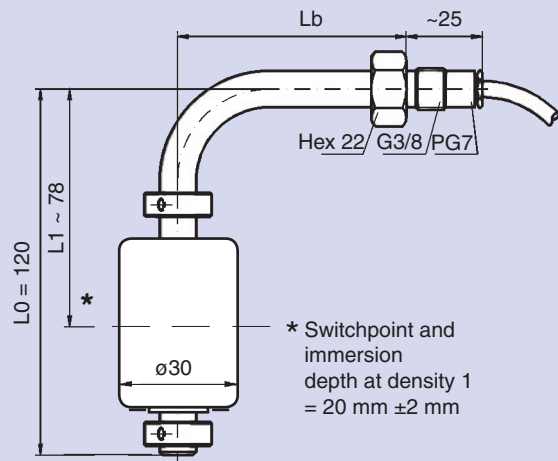
Stem and Mounting Thread	: MS 3/8 = Brass, G3/8/Lb = 75 ± 5 mm
Float	: BN 30 = Buna N, Ø = 30 mm
Max. Operating Pressure	: 15 bar (Float / +20 °C)
Max. Operating Temperature	: -20 °C...+100 °C, (Oil) -20 °C...+80 °C, (Water)
Min. Fluid Specific Gravity	: 0,60 g/cm <sup>3</sup>
Mounting Position	: vertical, ±30°, side mounted
Protection Class	: IP65
Electrical Connection	: PVC-cable, max.3 x 0,34 mm <sup>2</sup> 1 m length
Contact Mode	: 1 - SPST-switch (NO) 2 - SPST-switch (NC) 3 - SPDT-switch
Max. Contact Rating	: 1 - 250 V AC/DC / 3,0 A / 100 VA/W 2 - 250 V AC/DC / 3,0 A / 100 VA/W 3 - 140 V AC/DC / 1,0 A / 60 VA/W
Weight	: appr. 250 g
Special Design	: also available as UNS-S-MS... with shipbuilding approval

The contact modes (NO or NC) are defined on the basis of an empty tank and for a level switch mounted through the top.

**Order Numbers**

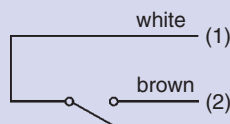
Type	Contact Mode	Cable Type/Length	Order Number
UNS90-MS3/8-BN30/1	NO	PVC / 1 m	0111-517
UNS90-MS3/8-BN30/2	NC	PVC / 1 m	0111-518
UNS90-MS3/8-BN30/3	SPDT	PVC / 1 m	0111-519

**Dimensions (in mm)**



**Colour Code**

**NO (NC)**



**SPDT**

