

**Level Switches made of Stainless Steel
with G3/8 - Mounting Thread and angled 90°**

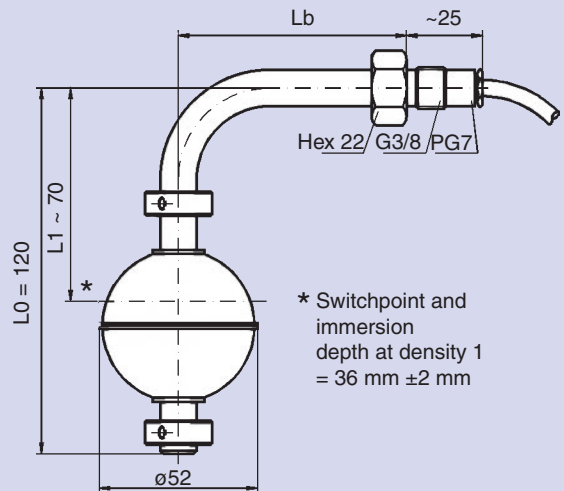
Type UNS90-VA3/8 VA52 (-HT)

Technical Data

Stem and Mounting Thread	: VA 3/8 = W.Nr. 1.4571, G3/8/Lb = 75 ± 5 mm
Float	: VA 52 = W.Nr. 1.4571, ø 52 mm
Max. Operating Pressure	: 40 bar (Float / +20 °C)
Max. Operating Temperature	: -10 °C...+105 °C, PVC-Cable -40 °C...+150 °C, Silicone cable (-HT)
Min. Fluid Specific Gravity	: 0,78 g/cm ³
Mounting Position	: vertical, ±30°, side mounted
Protection Class	: IP54
Electrical Connection	: PVC-cable, max.3 x 0,34 mm ² Silicone cable (-HT), max. 3 x 0,5 mm ² 1 m length
Contact Mode	: 1 - SPST-switch (NO) 2 - SPST-switch (NC) 3 - SPDT-switch
Max. Contact Rating	: 1 - 250 V AC/DC / 3,0 A / 100 VA/W 2 - 250 V AC/DC / 3,0 A / 100 VA/W 3 - 140 V AC/DC / 1,0 A / 60 VA/W
Weight	: appr. 250 g
Special Design	: also available as UNS-S-MS... with shipbuilding approval

The contact modes (NO or NC) are defined on the basis of an empty tank and for a level switch mounted through the top.

Dimensions (in mm))

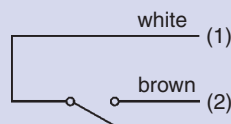


Order Numbers

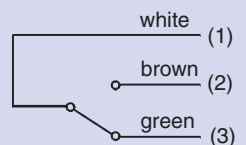
Type	Contact Mode	Cable Type/Length	Order Number
UNS90-VA3/8-VA52/1	NO	PVC / 1 m	0111-346
UNS90-VA3/8-VA52/2	NC	PVC / 1 m	0111-407
UNS90-VA3/8-VA52/3	SPDT	PVC / 1 m	0111-117
UNS90-VA3/8-VA52/1-HT	NO	Silikon / 1 m	0111-520
UNS90-VA3/8-VA52/2-HT	NC	Silikon / 1 m	0111-521
UNS90-VA3/8-VA52/3-HT	SPDT	Silikon / 1 m	0111-522

Colour Code

NO (NC)



SPDT



12 / 04 UNS US 04/1

Barksdale Level Switches

Specifications are subject to changes without notice.