

Level

Bilge Level Switch

Type UNS-VA/SB1-VA52

Level switch without test function

Features

Particularly rugged and sturdy design for bilge monitoring

Applications

Shipbuilding,
sewage works

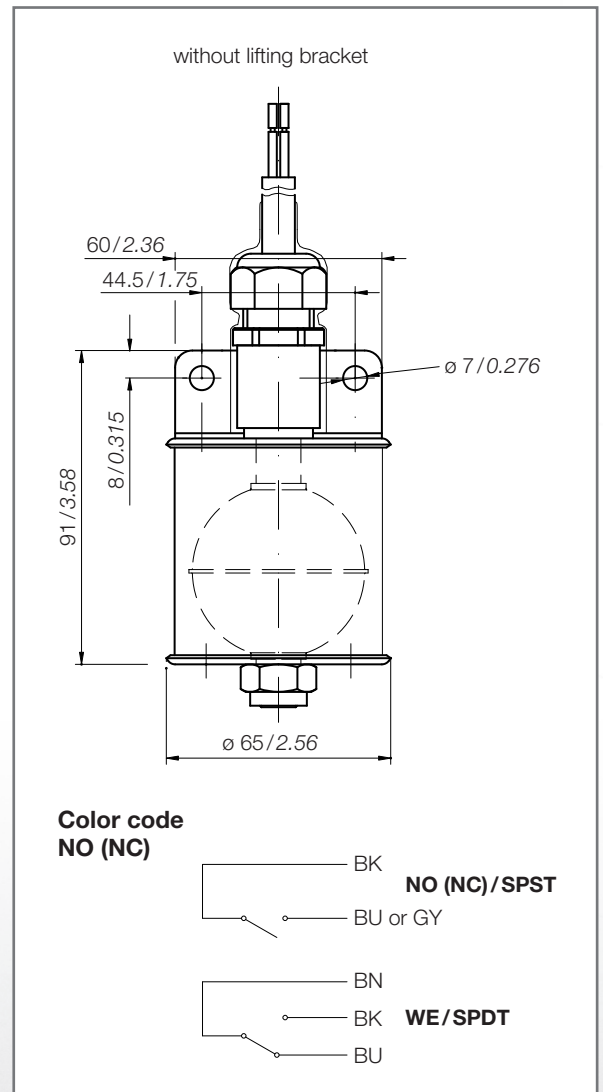


Art.-Nr. 923-1751 Index: C

Technical Data

Stem, housing and screw coupling:	stainless steel 1.4571
Ball float:	VA52, Ø = 52 mm
Operating pressure:	max. 10 bar
Temperature range:	max. -20°C ... +80°C
Fluid specific gravity:	min. 0.70 g/cm ³
Attachment:	Holding bracket
Protection class:	IP67
Electrical connection:	Shipbuilding or marine cable
Cable length:	2 m (standard), 5 m, 10 m
Contact:	1 – normally open contact (NO) 2 – normally closed contact (NC) 3 – change-over contact (WE)
Contact rating:	1 – 250 V AC/DC/3.0 A/100 W/VA 2 – 250 V AC/DC/3.0 A/100 W/VA 3 – 140 V AC/DC/1.0 A/60 W/VA
Weight:	approx. 735 g
Approvals:	GL, BV, DNV and RMRS (RINA, ABS and LR on request)

Dimensions (in mm/inch)



Subject to technical changes.

Order numbers

Type	Contact type	Cable length	Order No.
UNS-VA/SB1-VA52	NO (NC) SPST	2 m	0111-623
		5 m	0111-624
		10 m	0111-625
	WE SPDT	2 m	0111-629
		5 m	0111-630
		10 m	0111-631