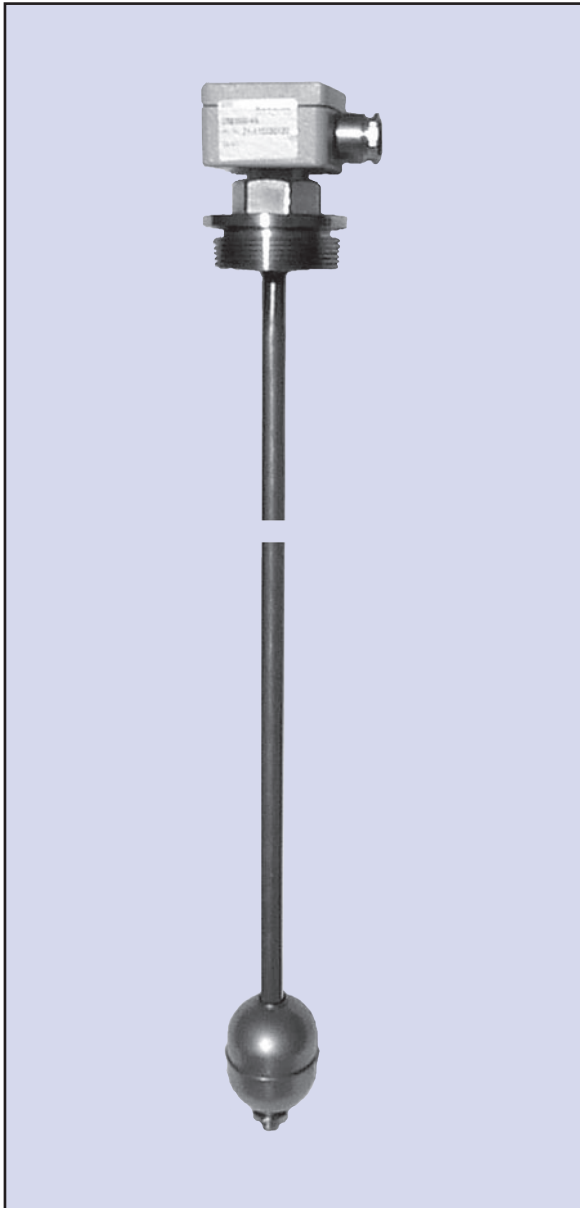


Type USE 3000

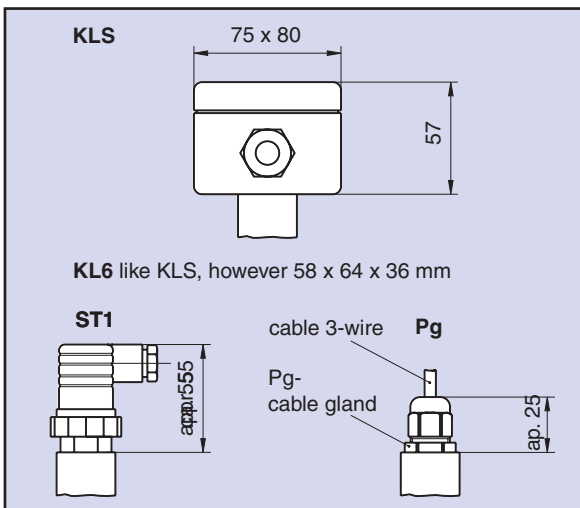
USE 3000 - Level Sensor up to 3000 mm Length



Technical Data

Max. Length L_0	: 3000 mm
Materials	: Stainless steel (1.4571, 1.4404), brass, other material on request
Mounting Element	: Stainless steel (1.4571, 1.4404), tank screw or flange
Stem	: Stainless steel (1.4571), brass, $\varnothing = 13 \times 1$ mm
Float	: Stainless steel (1.4571) - VA44, $\varnothing = 44$ mm, oval min. media density = 0,9 g/cm ³ max. pressure = 25 bar - VA52, $\varnothing = 52$ mm, oval min. media density = 0,74 g/cm ³ max. pressure = 25 bar - VA80, $\varnothing = 82$ mm, ball min. media density = 0,5 g/cm ³ max. pressure = 16 bar
Electrical Connection	: ST1 - Cube plug DIN43650 (3-pin + earth) PG - Cable gland PG 13,5 incl. 1,5 m cable KL6 - Aluminum terminal box (58 x 64 x 36 mm, 3 terminals) KLS - Aluminum terminal box incl. transducer MU3L (75 x 80 x 57 mm)
Protection Class	: ST1, KL6, KLS = IP65, PG = IP67
Temperature Ranges	: -10 °C... + 90 °C -50 °C...+150 °C HT - high temperature only with KL6 or silicone cable possible
Total Resistance	: 0...100 kOhm
Power Supply	: 8 ... 35 V DC with transducer, max. 24 V DC without transducer
Type of Screen	: R12 = screen 12,7 mm (1/2") accuracy $\pm 6,4$ mm appr. 0,2% at 3000 mm measuring length
Wiring	: 3-wire, length up to 5000 mm depending on cable diameter
Options	: DR - slosh tube, Pt100-element, thermo reed, HT - isolation, interfacial level indication

Electrical Connections



12 / 04 TLI US 01/1

Barksdale Tank Level Indicating Systems

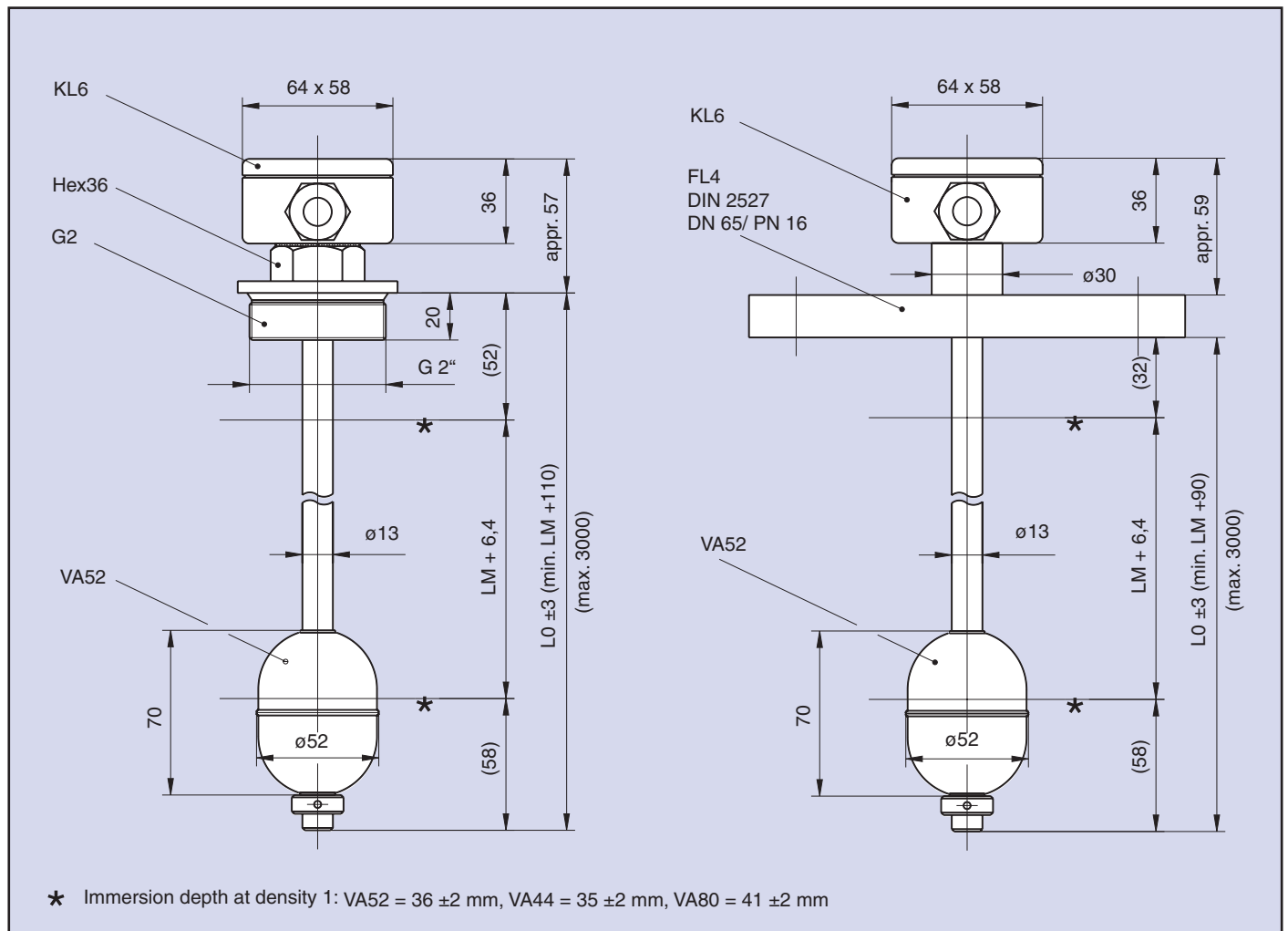
Specifications are subject to changes without notice.

Type USE 3000

Dimensions (in mm)

12 / 04 TL1 US 01/1

Barksdale Tank Level Indicating Systems



Order number example

Type	Series	Material	Mounting Element	Electrical Connection	Float Type	Screen	Meas. Length LM	Options
USE	3000	VA	/ G2	KL6	VA52	R12	2000	-

Your order number

USE	3000		/					
-----	------	--	---	--	--	--	--	--

Specifications are subject to changes without notice.

Material	Mounting Element	Electrical Connection	Float Type	Screen	Meas. Length LM (in mm)	Options
(VA) Stainless steel 1.4571/ 1.4408	(G2) G 2 Tank screw	(ST1) Plug DIN 43650, 3-pin + PE (PG) Cable gland PG13,5, incl. 1,5 m cable	(VA52) Stainless steel float ø52 mm	(R12) Standard	xxxx (e. g.: 2 m = 2000)	(PT100) Integrated tempera- ture measurement via Pt100-element
(MS) Brass	(FL4) DIN- flange, DN65/PN16, only VA	(KL6) Aluminum terminal box, 3 terminals (KLS) Aluminum terminal box incl. transducer MU3L	(VA44) Stainless steel float ø44 mm (VA80) Stainless steel float ø82 mm	(R08) Fine screen		(TR) Integrated tempera-ture measurement via thermo reed (DR) Slosh tube (HT) HT-isolation (TM) Interfacial level indication