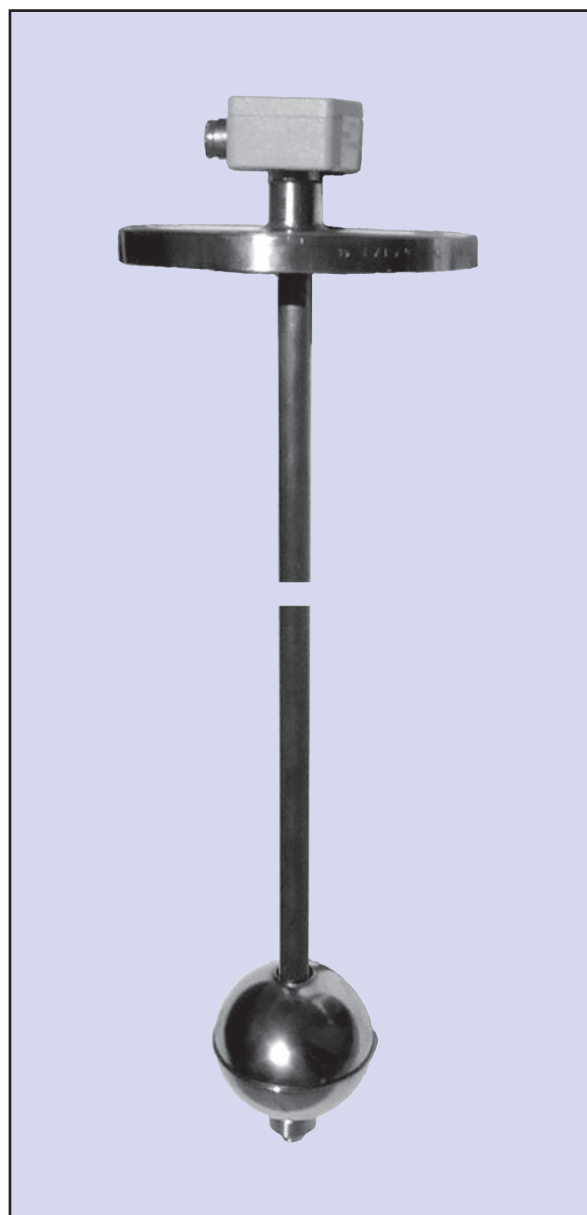


Type USE 6000

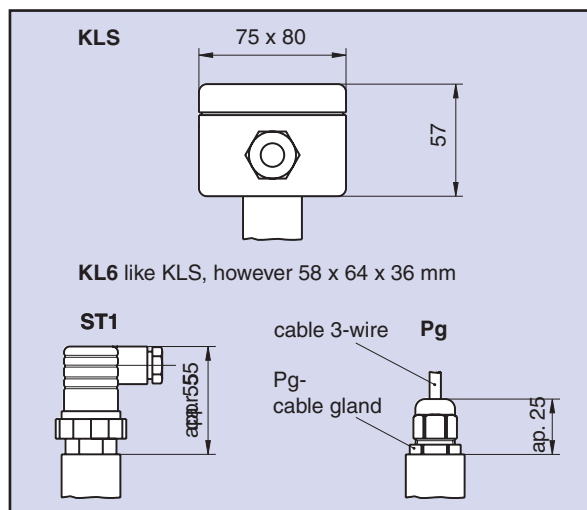
USE 6000 - Level Sensor up to 6000 mm Length



Technical Data

Max. Length L_0	: 6000 mm
Materials	: Stainless steel (1.4571, 1.4404), brass, other material on request
Mounting Element	: Stainless steel (1.4571, 1.4404), tank screw or flange
Stem	: Stainless steel (1.4571), brass, $\varnothing = 18 \times 1$ mm
Float	: Stainless steel (1.4571) VA100, $\varnothing = 105$ mm, oval min. media density = $0,62 \text{ g/cm}^3$ max. pressure = 32 bar : Buna-N BN 42, $\varnothing = 42$ mm min. media density = $0,55 \text{ g/cm}^3$ max. pressure = 15 bar
Electrical Connection	: ST1 - Cube plug DIN43650 (3-pin + earth) PG - Cable gland PG 13,5 incl. 1,5 m cable KL6 - Aluminum terminal box (58 x 64 x 36 mm, 3 terminals) KLS - Aluminum terminal box incl. transducer MU3L (75 x 80 x 57 mm)
Protection Class	: ST1, KL6, KLS = IP65, PG = IP67
Temperature Ranges	: $-10 \text{ }^\circ\text{C} \dots +90 \text{ }^\circ\text{C}$ $-50 \text{ }^\circ\text{C} \dots +150 \text{ }^\circ\text{C}$ HT - high temperature only with KL6 or silicone cable possible
Total Resistance	: 0...100 kOhm
Power Supply	: 8 ... 35 V DC with transducer, max. 24 V DC without transducer
Type of Screen	: R12 = screen 12,7 mm (1/2") accuracy $\pm 6,4$ mm appr. 0,1% at 6000 mm measuring length
Wiring	: 3-wire, length up to 5000 mm depending on cable diameter
Options	: DR - slosh tube, Pt100-element, thermo reed, HT - isolation, interfacial level indication

Electrical Connections



12 / 04 TLI US 01/1

Barksdale Tank Level Indicating Systems

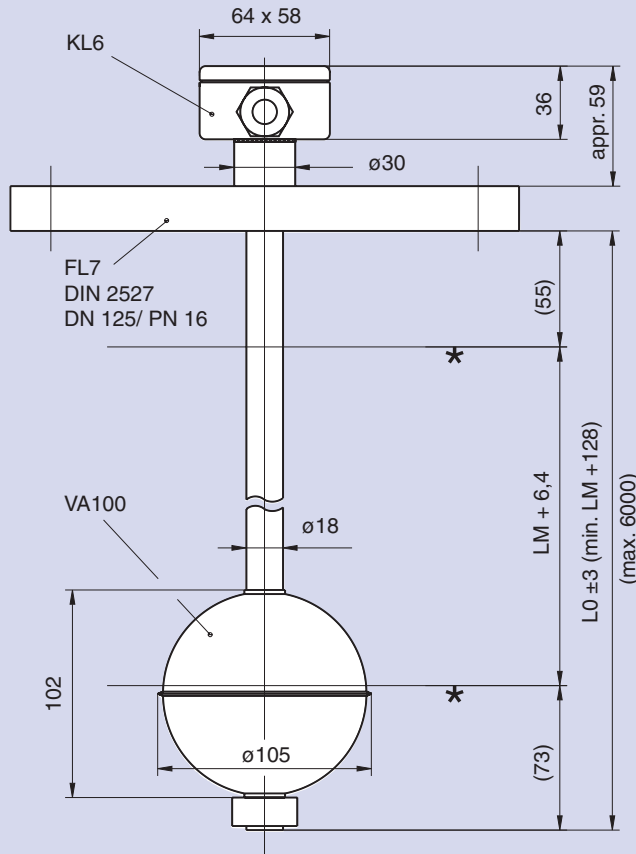
Specifications are subject to changes without notice.

Type USE 6000

Dimensions (in mm)

12 / 04 TL1 US 01/1

Barksdale Tank Level Indicating Systems



★ Immersion depth at density 1: VA100 = 52 ± 3 mm, BN42 = 33 ± 2 mm

Order number example

Type	Series	Material	Mounting Element	Electrical Connection	Float Type	Screen	Meas. Length LM	Options
USE	6000	VA	FL7	KL6	VA100	R12	4000	-

Your order number

USE	6000							
-----	------	--	--	--	--	--	--	--

Specifications are subject to changes without notice.

Material	Mounting Element	Electrical Connection	Float Type	Screen	Meas. Length LM (in mm)	Options
(VA) Stainless steel 1.4571/ 1.4408	(G2) G 2 Tank screw (FL7) DIN-flange, DN125/PN16, only VA	(ST1) Plug DIN 43650, 3-pin + PE (PG) Cable gland PG13,5, incl. 1,5 m cable (KL6) Aluminum terminal box, 3 terminals (KLS) Aluminum terminal box incl. transducer MU3L	(VA100) Stainless steel float, ø 105 mm (BN42) Buna-N float ø42 mm	(R12) Standard (R08) Fine screen	xxxx (e. g.: 4 m = 4000)	(PT100) Integrated tempera- ture measurement via Pt100-element (TR) Integrated tempera- ture measurement via thermo reed (DR) Slosch tube (HT) HT-isolation (TM) Interfacial level indication